

ITEM

8436PP11C0

PROLUNGA WC 90° SCARICO Ø110

Product Type

WC connectors

WC Extensions

Logistic Info

Pcs per Carton: 20
Qty per Pallet: 160
Unit weight: 0,43000
Flow rate Lt/m.:

ORIGINE: MADE IN ITALY

Cod.EAN13: 8030575030944

Tarif Code :39229000

Tecnichal Details

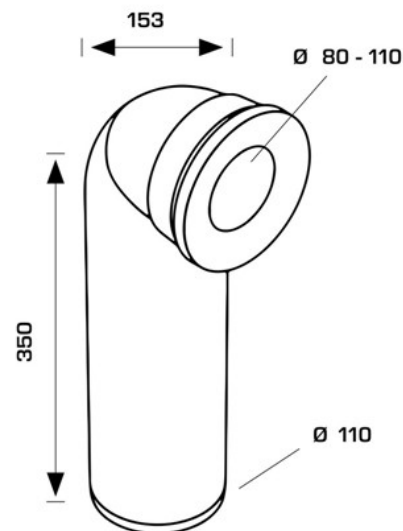
Model: BENT CONNECTION
Product: WC bent connections
Spec 1: WC 90° elbow
Spec 2: Inlet ø 80-110 mm Outlet ø 110 mm

Material 1: PP

Material 2: TPE

Color 1: WHITE

Color 2: YELLOW



Approvals