

ITEM

1640KP40B0

CROSS 2 - 1"1/2X40 - 2VIE

Product Type

Traps and basket wastes for kitchen sinks

Kitchen sink space-saving traps



Logistic Info

Pcs per Carton: 25

Qty per Pallet:

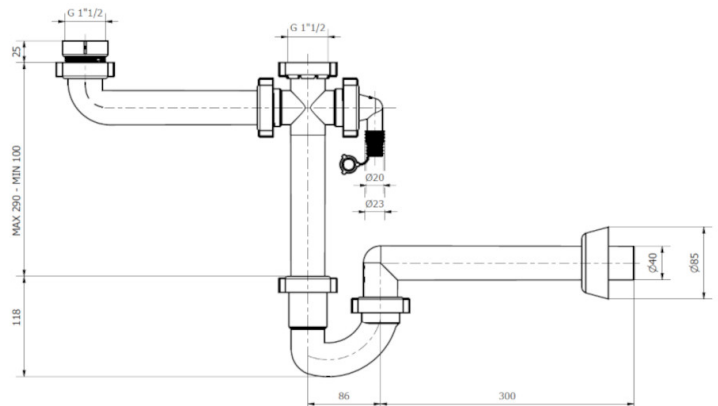
Unit weight: 0,42000

Flow rate Lt/m.:

ORIGINE: MADE IN ITALY

Cod.EAN13: 8030575059686

Tarif Code :39229000



Tecnichal Details

Model: SPACE

Product: Space saver traps for double waste kitchen sinks

Spec 1: Double inlet, waste water discharge on the side

Spec 2: 1"1/2 x ø 40 mm

Material 1: PP

Material 2:

Color 1: WHITE

Color 2:

Approvals